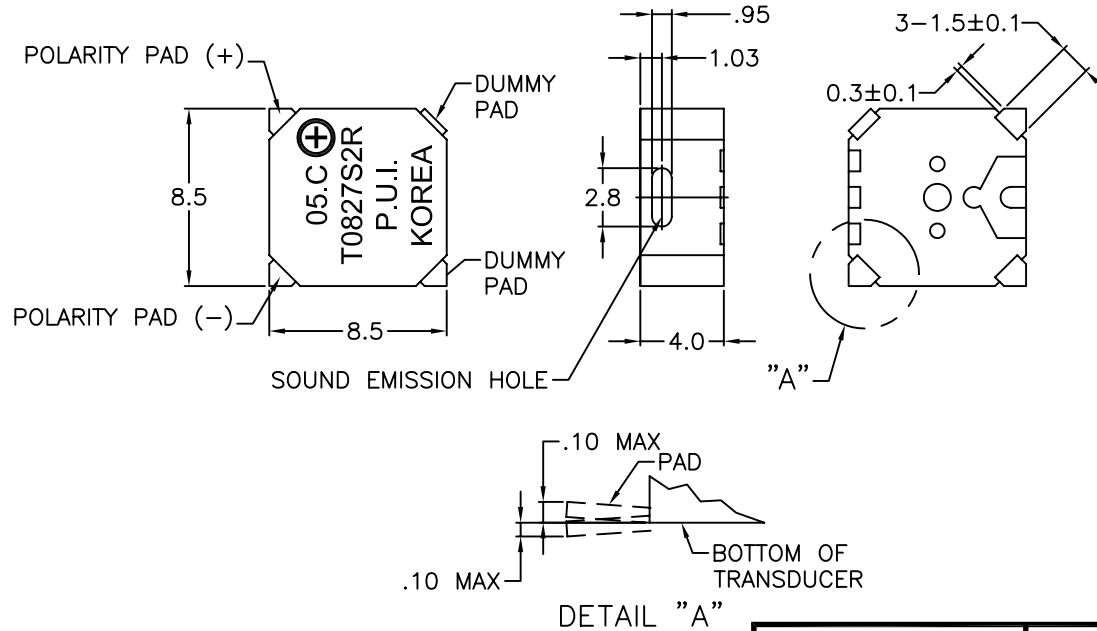


THIS DOCUMENT CONTAINS DATA PROPRIETARY TO PROJECTS UNLIMITED, INC. ANY USE OR REPRODUCTION, IN ANY FORM, WITHOUT PRIOR WRITTEN PERMISSION OF PROJECTS UNLIMITED, INC. IS PROHIBITED.
 ©2003, Projects Unlimited Inc.

SPECIFICATIONS

PARAMETERS	VALUES	UNITS
RATED VOLTAGE (SQUARE WAVE)	3.6	Vp-p
OPERATING VOLTAGE RANGE	2.5 ~ 4.5	Vp-p
RATED CURRENT (MAX)	90	mA
COIL RESISTANCE	15±3	OHM
MINIMUM SPL @ 10 CM	87	dB
RESONANT FREQUENCY	2,700±500	Hz
OPERATING TEMPERATURE	-30 ~ +70	°C
STORAGE TEMPERATURE	-40 ~ +85	°C
HOUSING MATERIAL	LCP	-
TERMINAL MATERIAL	Tin Plated Phosphor Bronze	-
WEIGHT	.42	grams

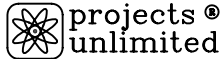
REVISIONS			
LTR	DESCRIPTION	DATE	APPROVED
-	RELEASED FROM ENGINEERING	4/1/05	
A	ADDED RoHS COMPLIANCE NOTE	8/10/05	



NOTES:

1. ALL DIMENSIONS ARE IN MILLIMETERS.
2. SPECIFICATION SUBJECT TO CHANGE OR WITHDRAWAL WITHOUT NOTICE.
3. THIS PART IS RoHS 2002/95/EC COMPLIANT.

FILE NAME
SMT-0827-S-2-R.DWG

UNLESS OTHERWISE SPECIFIED: DIMENSIONS ARE IN MILLIMETERS, TOLERANCES ARE ±0.5 AND ANGLES ARE ±3°.		 projects unlimited Dayton, Ohio	
APPROVALS		DATE	
DRAWN	G. V.	3/31/05	
CHECKED	E. P.	4/1/05	
APPROVED	R. W.	4/1/05	
DO NOT SCALE DRAWING		SIZE A	DRAWING NO. SMT-0827-S-2-R
		SCALE: N.T.S.	SHEET 1 OF 1

TRANSDUCER (ELECTRO-MECH)